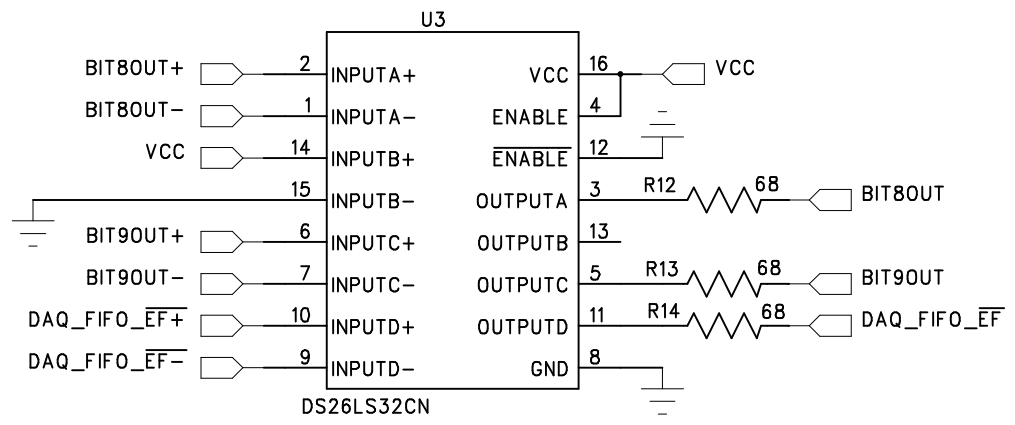
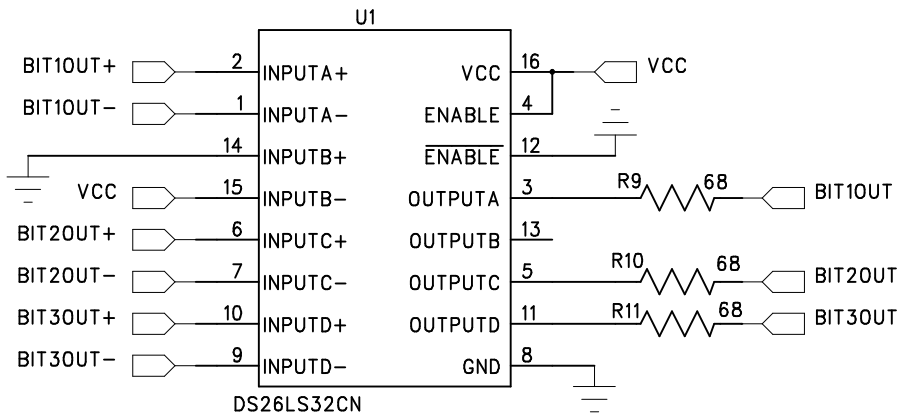
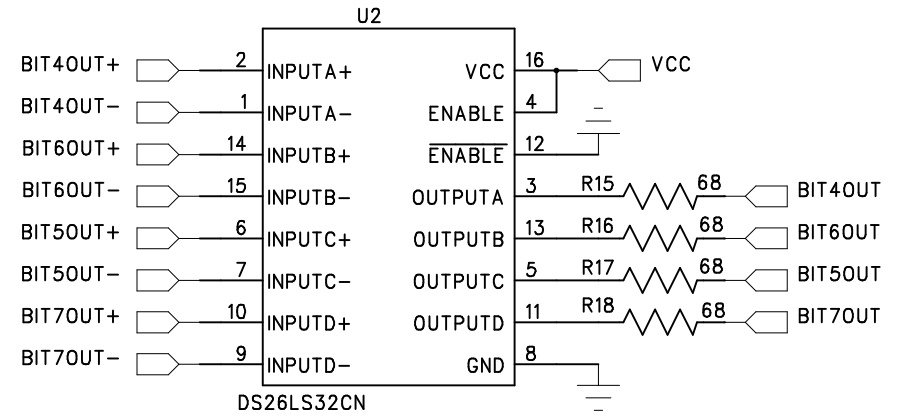
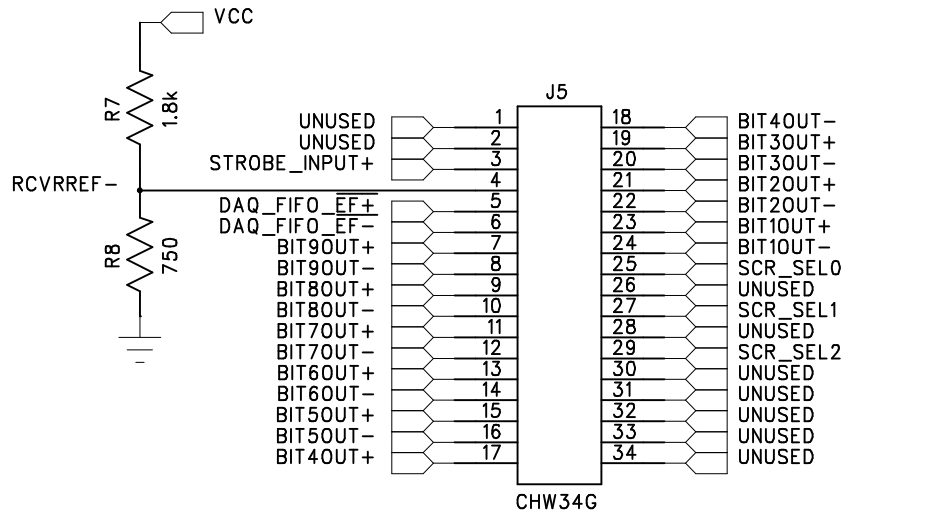


RUN2B BUFFER BOARD

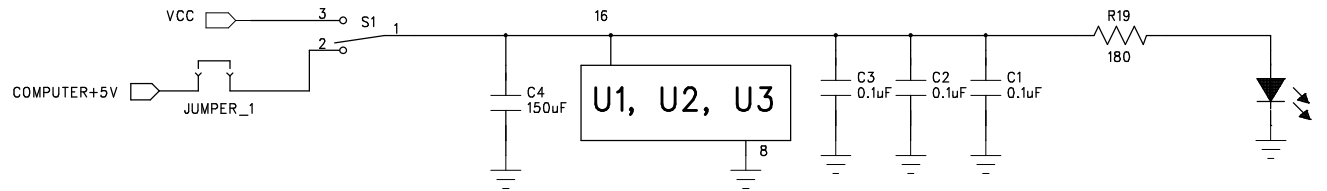
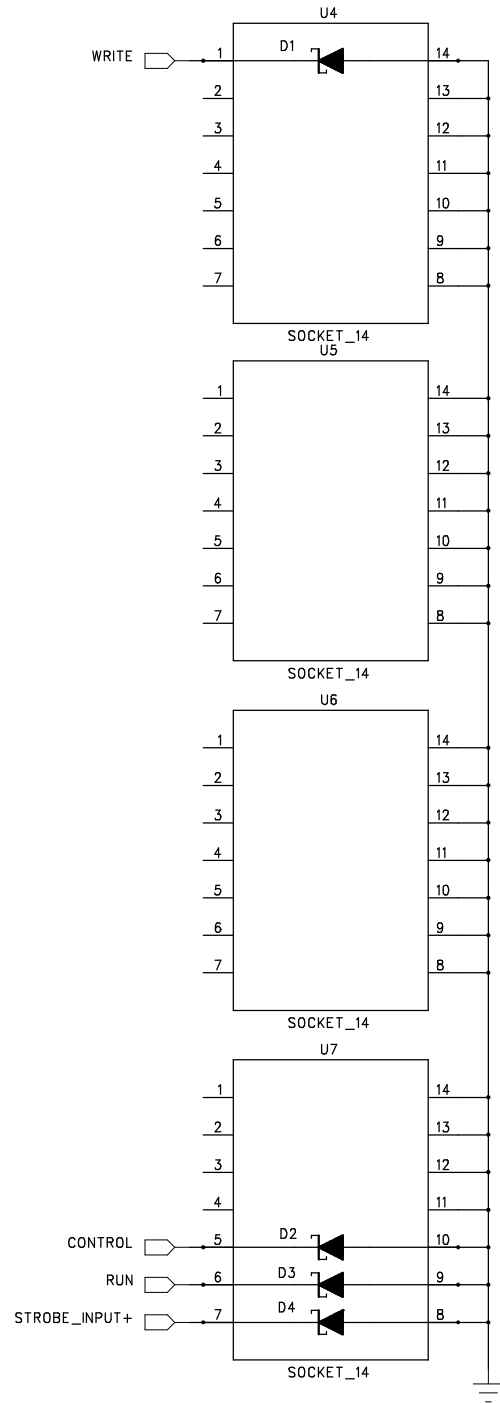
SHEET: 1/3

DATE: AUG 22, 2002

UC DAVIS



<b>RUN2B BUFFER BOARD</b>	<b>SHEET: 2/3</b>
DATE: AUG 22, 2002	UC DAVIS



RUN2B BUFFER BOARD	SHEET: 3/3
DATE: AUG 22, 2002	UC DAVIS